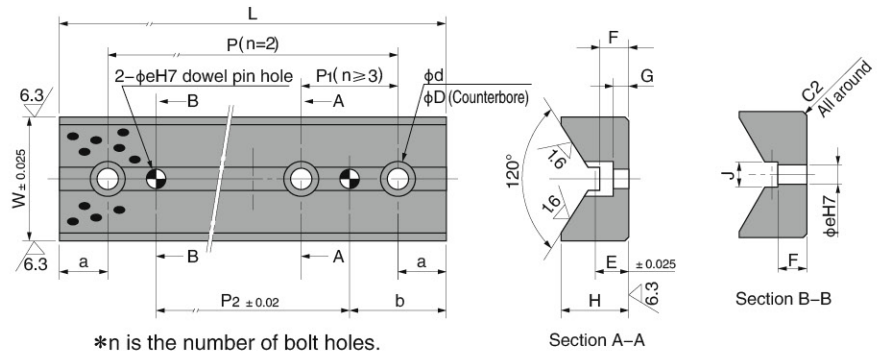
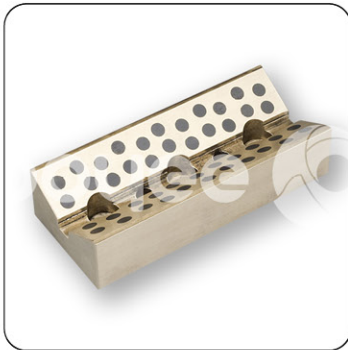


# BY-5X V型导板 Cam Slide Guide



\*n is the number of bolt holes.

bolt hole

W	d	D
35	9	14
50-65	11	17.5

Slide Direction

单位Unit: mm

型号 Parts No.	W	L	H	$l$	$l_1$	P	P1	n	P2	E	F	G
BY-5X	65	100	35	25	50	-	50	2	20	18	15	8
		150						3	50			
		200						4	100			
		250						5	150			
		300						6	200			
BY-5X	65	100	37	25	50	-	100	2	20	20	20	10
		125						75	25			
		150						100	50			
		200						75	100			
		250						100	150			
		300						125	200			