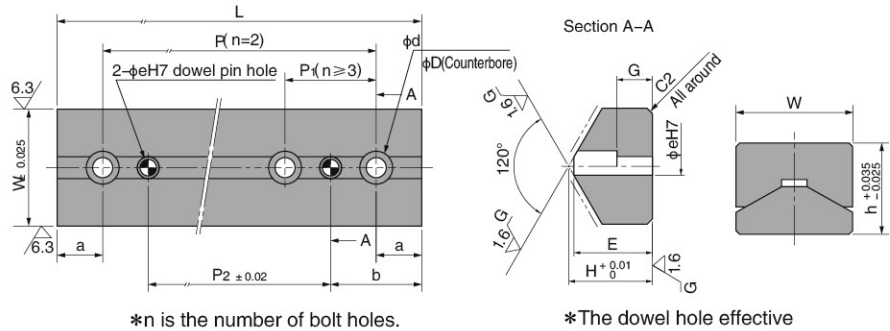


BY-5Y 凸轮行程滑板 Cam Stroke Plate



*n is the number of bolt holes.

-bolt hole

W	d	D
35	9	14
50-65	11	17.5

-Total height of Combination YCB050X and YCB050Y

W	H
35	35
50	50
65	65

单位Unit: mm

型号 Parts No.	W	L	H	l	l_1	P	P1	n	P2	E	G
BY-5Y	65	100	47	25	50	-	50	2	20	44	20
		150						3	50		
		200						4	100		
		250						5	150		
		300						6	200		
BY-5Y	65	100	30	25	50	-	100	2	20	26	10
		125						-	25		
		150						75	50		
		200						75	100		
		250						100	150		
		300						125	200		