

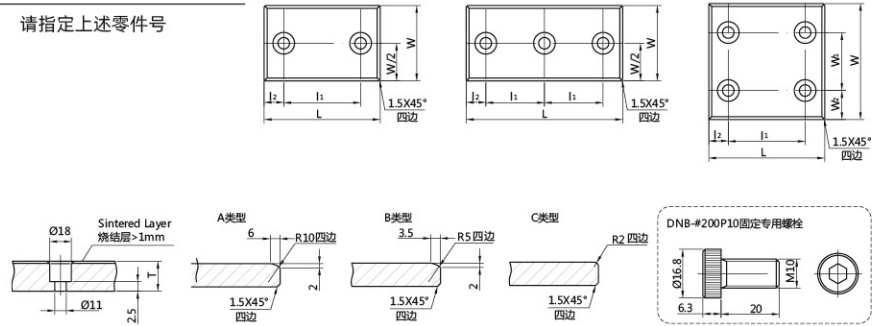
# BY-7SP10 滑板 Wear Plate (T: 10mm)



请从适用的厚度、宽度、长度中选择零件号  
(例) 厚度10mm、宽度28mm、长度75mm的情况下

## BY-7SP10 - 2875

请指定上述零件号



单位Unit: mm

型号 Parts No.	宽度 Width		长度 Length		厚度 hickness		Mounting holes Pitch						Number of Screw holes	Chamfered shape
	W	Tol.	L	Tol.	T	Tol.	W1	Tol.	W2	L1	Tol.	L2		
BY-7SP10-2875	28	-0.1 -0.3	75	-0.1 -0.3	10	±0.01	-	-	-	45	±0.2	15	2	C
BY-7SP10-28100	28	"	100	"	10	"	-	-	-	50	"	25	"	"
BY-7SP10-28125	28	"	125	"	10	"	-	-	-	75	"	25	"	"
BY-7SP10-28150	28	"	150	"	10	"	-	-	-	100	"	25	"	"
BY-7SP10-3875	38	"	75	"	10	"	-	-	-	45	"	15	"	"
BY-7SP10-38100	38	"	100	"	10	"	-	-	-	50	"	25	"	"
BY-7SP10-38125	38	"	125	"	10	"	-	-	-	75	"	25	"	"
BY-7SP10-38150	38	"	150	"	10	"	-	-	-	100	"	25	"	"
BY-7SP10-4875	48	"	75	"	10	"	-	-	-	45	"	15	"	B
BY-7SP10-48100	48	"	100	"	10	"	-	-	-	50	"	25	"	"
BY-7SP10-48125	48	"	125	"	10	"	-	-	-	100	"	25	"	"
BY-7SP10-48150	48	"	150	"	10	"	-	-	-	100	"	25	"	"
BY-7SP10-48200	48	"	200	"	10	"	-	-	-	100	"	50	"	"
BY-7SP10-48250	48	"	250	"	10	"	-	-	-	45	"	25	3	"
BY-7SP10-7575	75	"	75	"	10	"	-	-	-	25	"	25	2	A
BY-7SP10-75100	75	"	100	"	10	"	-	-	-	50	"	25	"	"
BY-7SP10-75125	75	"	125	"	10	"	-	-	-	75	"	25	"	"
BY-7SP10-75150	75	"	150	"	10	"	-	-	-	100	"	25	"	"
BY-7SP10-75200	75	"	200	"	10	"	-	-	-	150	"	25	"	"
BY-7SP10-75250	75	"	250	"	10	"	-	-	-	100	"	25	3	"
BY-7SP10-75300	75	"	300	"	10	"	-	-	-	100	"	50	"	"
BY-7SP10-100100	100	"	100	"	10	"	50	±0.2	25	50	"	25	4	"
BY-7SP10-100125	100	"	125	"	10	"	"	"	"	75	"	25	"	"
BY-7SP10-100150	100	"	150	"	10	"	"	"	"	100	"	25	"	"
BY-7SP10-100200	100	"	200	"	10	"	"	"	"	150	"	25	"	"
BY-7SP10-100250	100	"	250	"	10	"	"	"	"	200	"	25	"	"
BY-7SP10-100300	100	"	300	"	10	"	"	"	"	200	"	50	"	"
BY-7SP10-125125	125	"	125	"	10	"	"	"	37.5	75	"	25	"	"
BY-7SP10-125150	125	"	150	"	10	"	"	"	"	100	"	25	"	"
BY-7SP10-125200	125	"	200	"	10	"	"	"	"	150	"	25	"	"
BY-7SP10-125250	125	"	250	"	10	"	"	"	"	200	"	25	"	"
BY-7SP10-125300	125	"	300	"	10	"	"	"	"	200	"	50	"	"
BY-7SP10-150150	150	"	150	"	10	"	100	"	25	100	"	25	"	"
BY-7SP10-150200	150	"	200	"	10	"	"	"	"	150	"	25	"	"
BY-7SP10-150250	150	"	250	"	10	"	"	"	"	200	"	25	"	"