

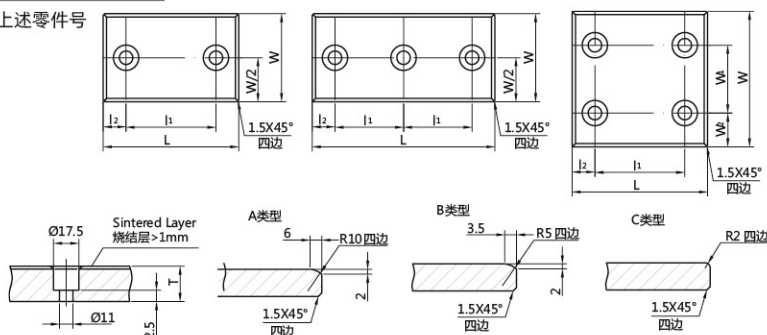
BY-7SP20 滑板 Wear Plate (T: 20mm)



请从适用的厚度、宽度、长度中选择零件号
 (例) 厚度20mm、宽度28mm、长度75mm的情况下

BY-7SP20 - 2875

请指定上述零件号



单位Unit: mm

型号 Parts No.	宽度 Width		长度 Length		厚度 Thickness		Mounting holes Pitch						Number of Screw holes	Chamfered shape
	W	Tol.	L	Tol.	T	Tol.	W1	Tol.	W2	L1	Tol.	L2		
BY-7SP20-2875	28	$\begin{smallmatrix} -0.1 \\ -0.3 \end{smallmatrix}$	75	$\begin{smallmatrix} -0.1 \\ -0.3 \end{smallmatrix}$	20	± 0.01	-	-	-	45	± 0.2	15	2	C
BY-7SP20-28100	28	"	100	"	20	"	-	-	-	50	"	25	"	"
BY-7SP20-28150	28	"	150	"	20	"	-	-	-	100	"	25	"	"
BY-7SP20-3875	38	"	75	"	20	"	-	-	-	45	"	15	"	"
BY-7SP20-38100	38	"	100	"	20	"	-	-	-	50	"	25	"	"
BY-7SP20-38150	38	"	150	"	20	"	-	-	-	100	"	25	"	"
BY-7SP20-4875	48	"	75	"	20	"	-	-	-	45	"	15	"	B
BY-7SP20-48100	48	"	100	"	20	"	-	-	-	50	"	25	"	"
BY-7SP20-48125	48	"	125	"	20	"	-	-	-	100	"	25	"	"
BY-7SP20-48150	48	"	150	"	20	"	-	-	-	100	"	25	"	"
BY-7SP20-48200	48	"	200	"	20	"	-	-	-	100	"	50	"	"
BY-7SP20-48250	48	"	250	"	20	"	-	-	-	45	"	25	3	"
BY-7SP20-5875	58	"	75	"	20	"	-	-	-	50	"	15	2	"
BY-7SP20-58100	58	"	100	"	20	"	-	-	-	75	"	25	"	"
BY-7SP20-58150	58	"	150	"	20	"	-	-	-	100	"	25	"	"
BY-7SP20-7575B	75	"	75	"	20	"	-	-	-	25	"	25	"	A
BY-7SP20-75100B	75	"	100	"	20	"	-	-	-	50	"	25	"	"
BY-7SP20-75125	75	"	125	"	20	"	-	-	-	75	"	25	"	"
BY-7SP20-75150	75	"	150	"	20	"	-	-	-	100	"	25	"	"
BY-7SP20-75200	75	"	200	"	20	"	-	-	-	150	"	25	"	"
BY-7SP20-75250	75	"	250	"	20	"	-	-	-	100	"	25	3	"
BY-7SP20-75300	75	"	300	"	20	"	-	-	-	100	"	50	"	"
BY-7SP20-100100	100	"	100	"	20	"	50	± 0.2	25	50	"	25	4	"
BY-7SP20-100125	100	"	125	"	20	"	"	"	"	75	"	25	"	"
BY-7SP20-100150	100	"	150	"	20	"	"	"	"	100	"	25	"	"
BY-7SP20-100200	100	"	200	"	20	"	"	"	"	150	"	25	"	"
BY-7SP20-100250	100	"	250	"	20	"	"	"	"	200	"	25	"	"
BY-7SP20-100300	100	"	300	"	20	"	"	"	"	200	"	50	"	"
BY-7SP20-125125	125	"	125	"	20	"	"	"	37.5	75	"	25	"	"
BY-7SP20-125150	125	"	150	"	20	"	"	"	"	100	"	25	"	"
BY-7SP20-125200	125	"	200	"	20	"	"	"	"	150	"	25	"	"
BY-7SP20-125250	125	"	250	"	20	"	"	"	"	200	"	25	"	"
BY-7SP20-125300	125	"	300	"	20	"	"	"	"	200	"	50	"	"
BY-7SP20-150150	150	"	150	"	20	"	100	"	25	100	"	25	"	"
BY-7SP20-150200	150	"	200	"	20	"	"	"	"	150	"	25	"	"
BY-7SP20-150250	150	"	250	"	20	"	"	"	"	200	"	25	"	"